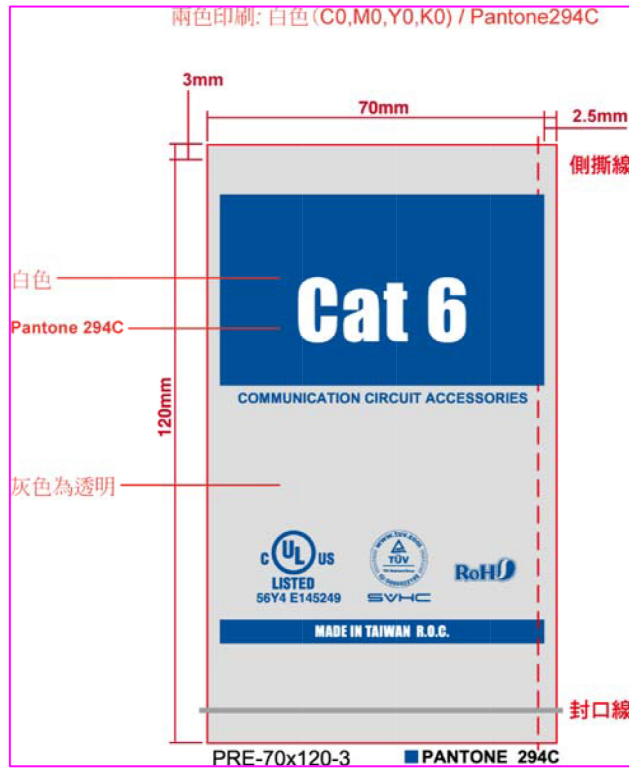
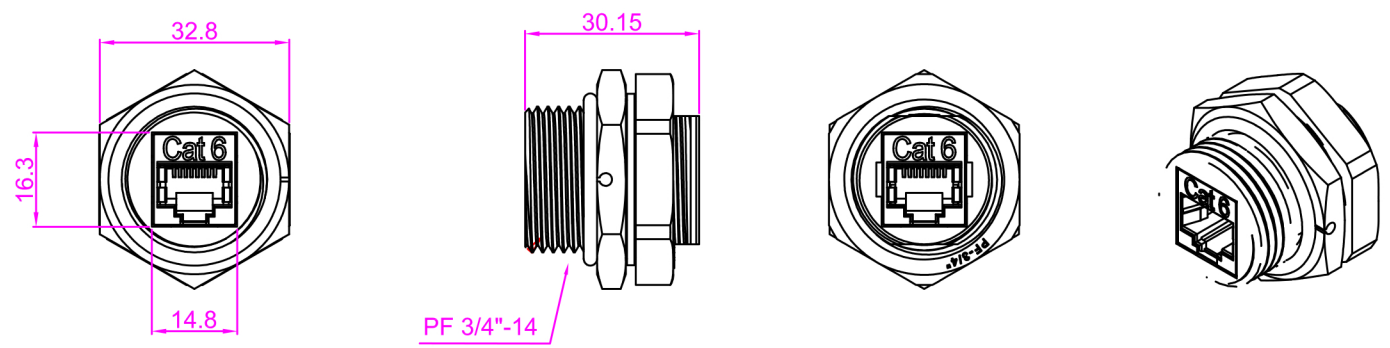


REVISION INFORMATION			
Rev.	Rev. Date	Modified By	Brief Description



**MATERIAL**

MAIN BODY : PBT HIGH-IMPACT UL94V-0 THERMOPLASTIC, 30% GLASS FIBER FILLED.  
 SHIELDED CASE : COPPER C2680, T=0.25MM, 30u" NICKEL PLATED.  
 COUPLER HOUSING : ABS HIGH-IMPACT UL94V-0 THERMOPLASTIC.  
 SPRING WIRE : PHOSPHOR BRONZE 5100W TEMPER WIRE, Φ=0.45MM, 50U" GOLD OVER 100U" NICKEL UNDERCOAT.

**PHYSICAL CHARACTERISTICS**

INSERTION LIFE : 750 MATING CYCLES WITH FCC COMPLIANT 8P PLUG.  
 CONTACT FORCE : 100 GRAMS WITH FCC COMPLIANT 8P PLUG.  
 PLUG RETENTION FORCE : 11 LBF MIN.  
 OPERATING TEMPERATURE RANGE : -10 C TO 60 C.  
 STORAGE TEMPERATURE RANGE : -40 C TO 68 C.  
 HUMIDITY : 10%~90%RH.

**ELECTRICAL**

INSULATION RESISTANCE : 500 MΩ.  
 DIELECTRIC WITHSTANDING VOLTAGE : 1000 V.  
 DC CURRENT RATING : 1.5 Amps.  
 DC RESISTANCE : 0.1Ω.  
 CONTACT RESISTANCE : 20mΩ.

**NOTE**

\* ONLY ACCEPT RJ-45 8P8C PLUG.

**IP67**

ACCORDING TO IEC 60529:2001-02  
 Degrees of Protection Provided by Enclosures  
 6: Dust-tight  
 7: Protected from immersion in water for 30 minutes at a depth of 1 meter.

**Cat 6**  
 56Y4  
 E145249



NO.	PART NAME	SPECIFICATION DESCRIPTION	QTY	UNIT
③				
②				
①				

**Show Me**  
**CABLES**  
 an INFINIT® brand

DRAWN BY WJH	DATE: 2014/11/25	Title: Cat6 RJ45 Shielded Industrial Panelmount Bulkhead Coupler
CHECKED BY	SHEET 1 of 1	Part No: 15-615-001 BK
APPROVED BY	SCALE 1:2	REV. 00 UNIT: mm